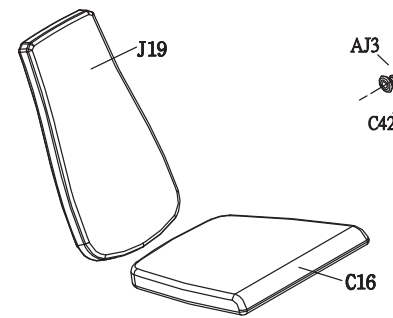
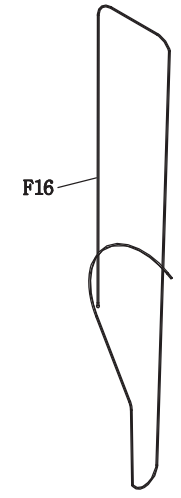
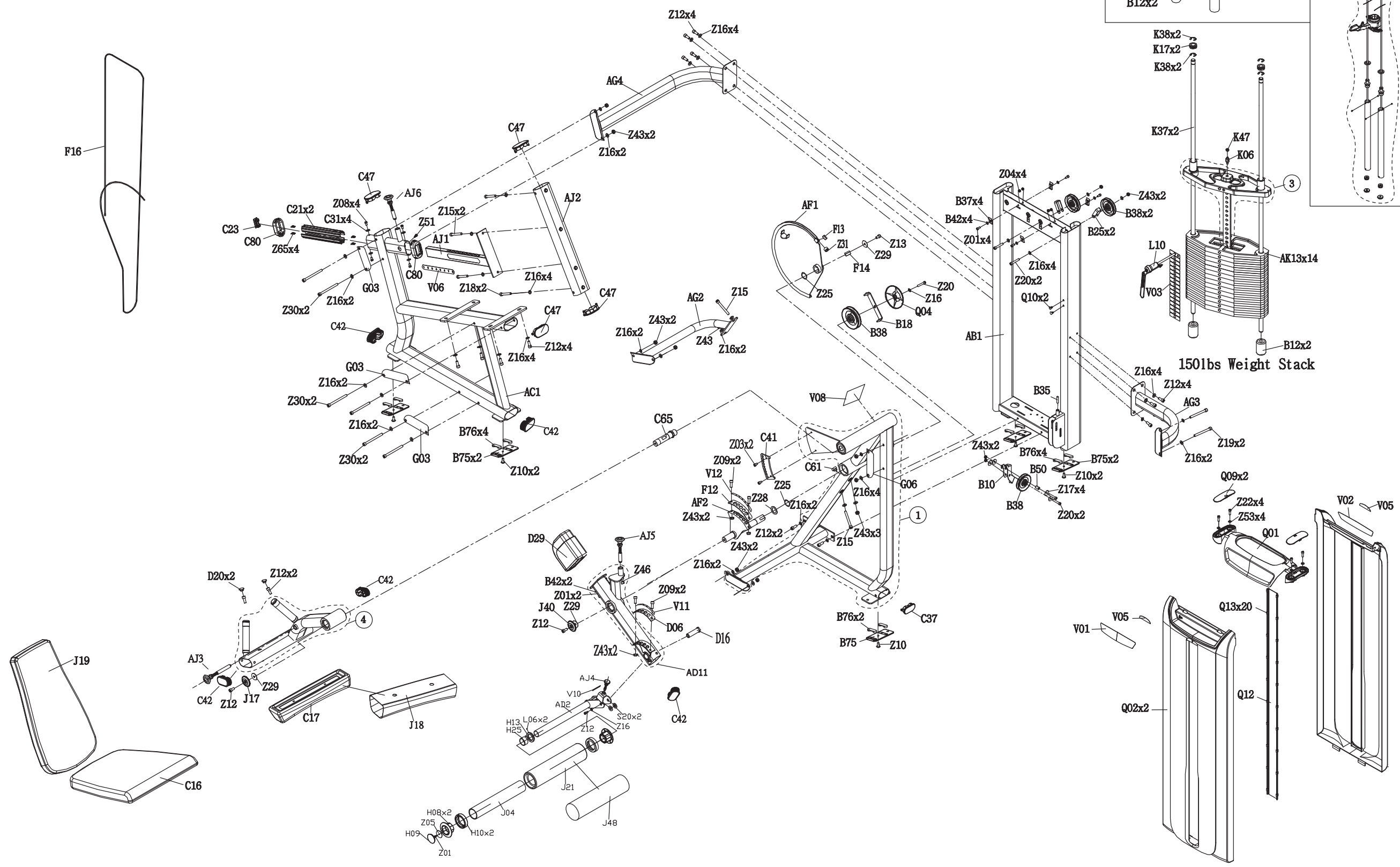
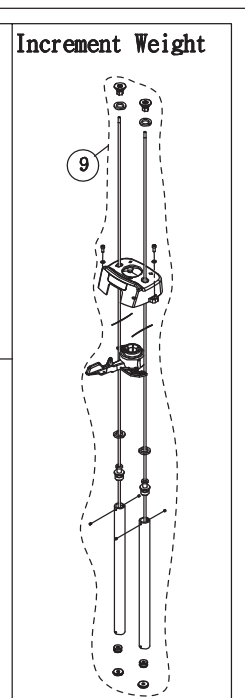
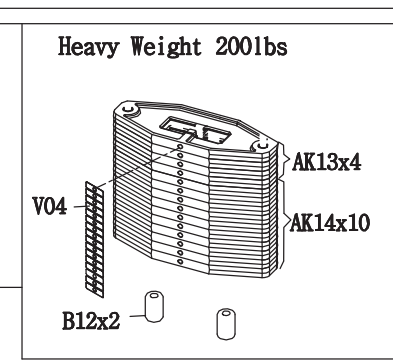
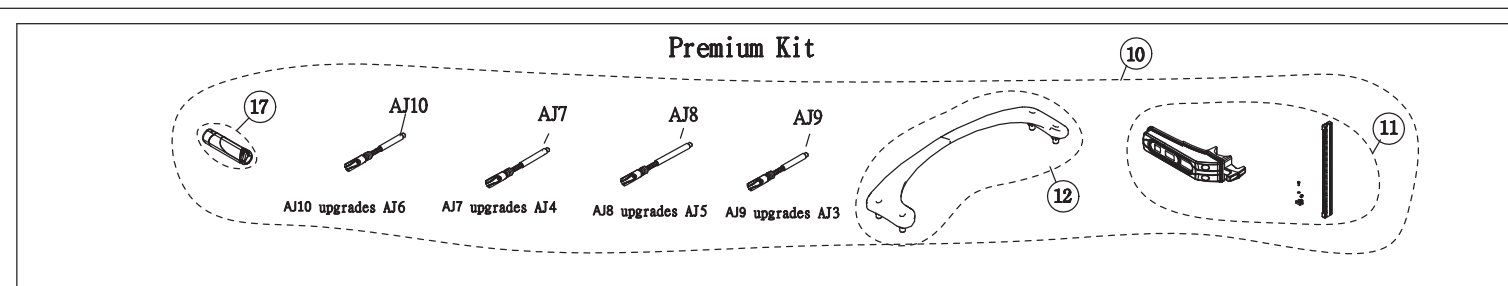
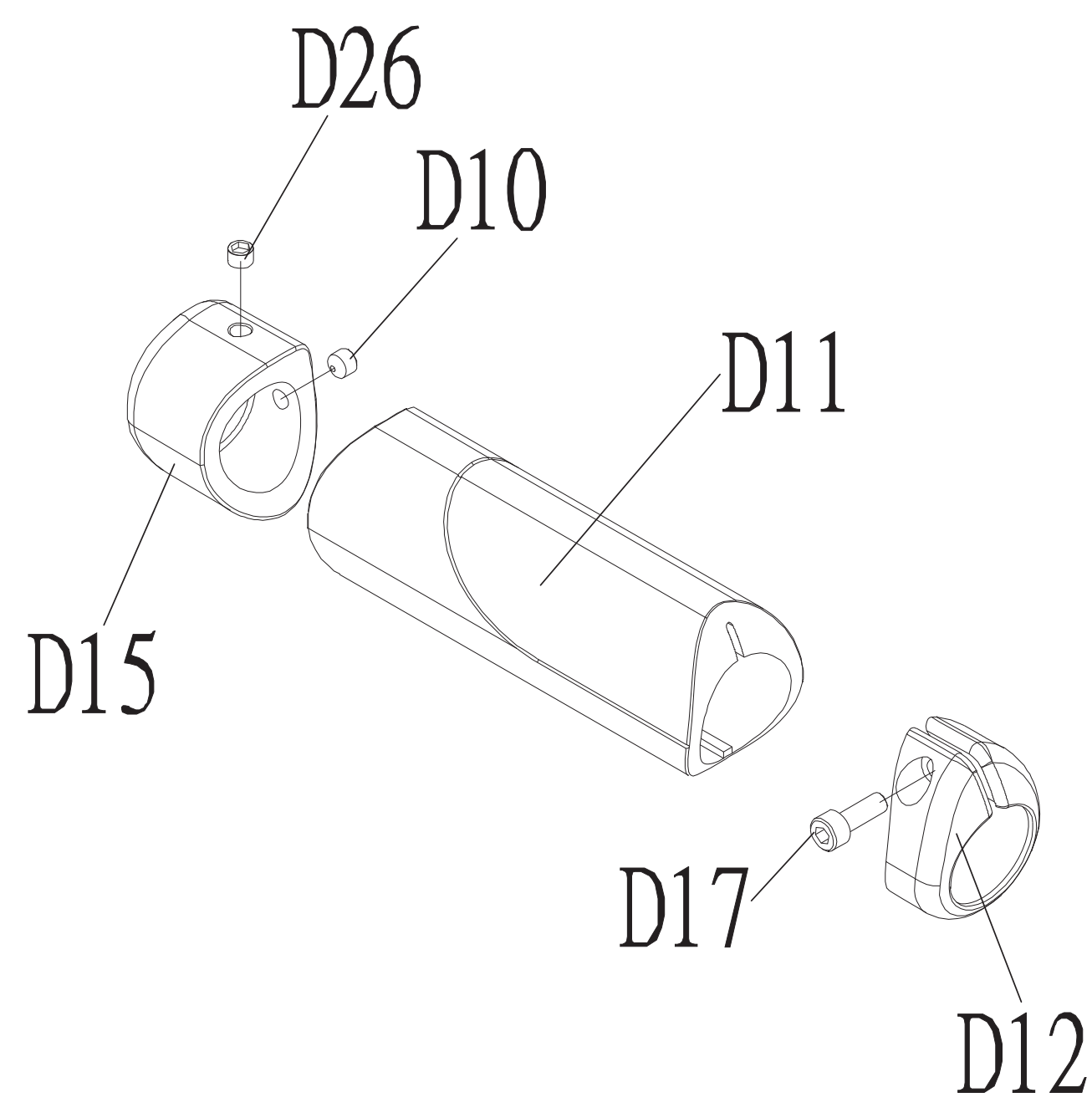


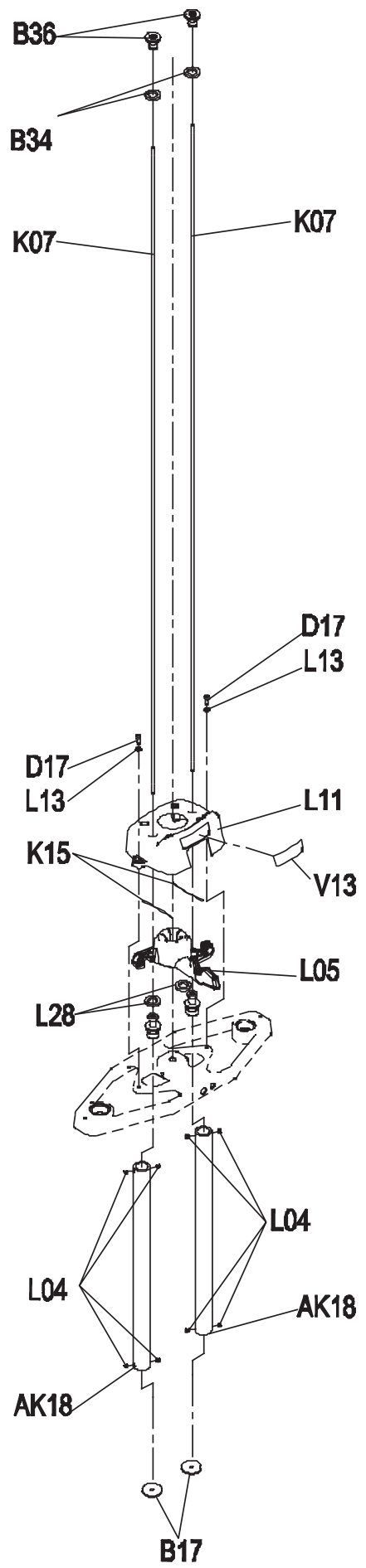
DRAWING NO	PVSGM61-KM		
PART NAME	EXPLOSIVE DIAGRAM		
PART NO	MGM0380-00	REV	A
APPROVE	wangtao	DATE	2021.06.22



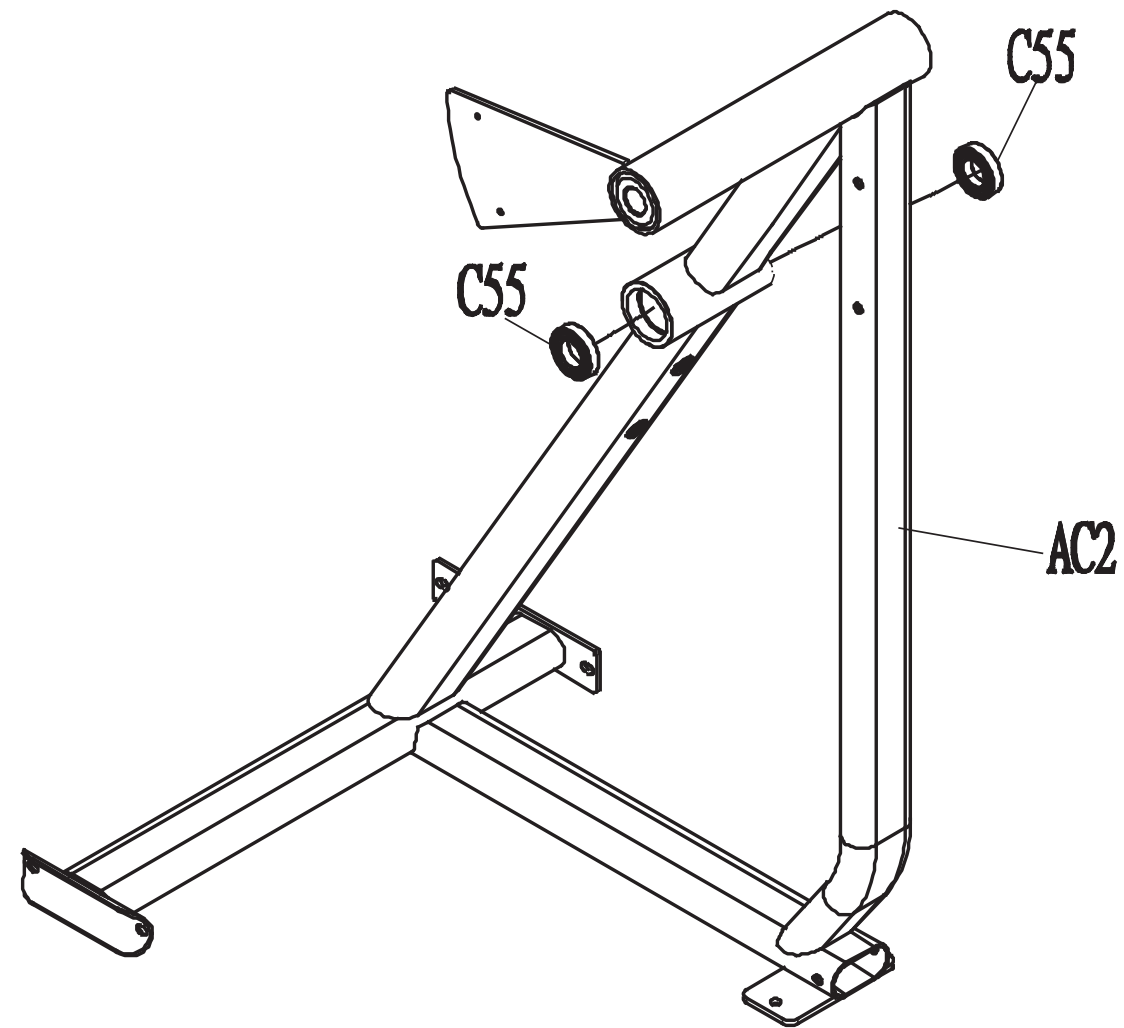
DRAWING NO	GM64-SF09		
PART NAME	Grip Set;Peadal Arm		
PART NO	096179	REV	A
APPROVE	LIUSHUO	DATE	2018.07.20



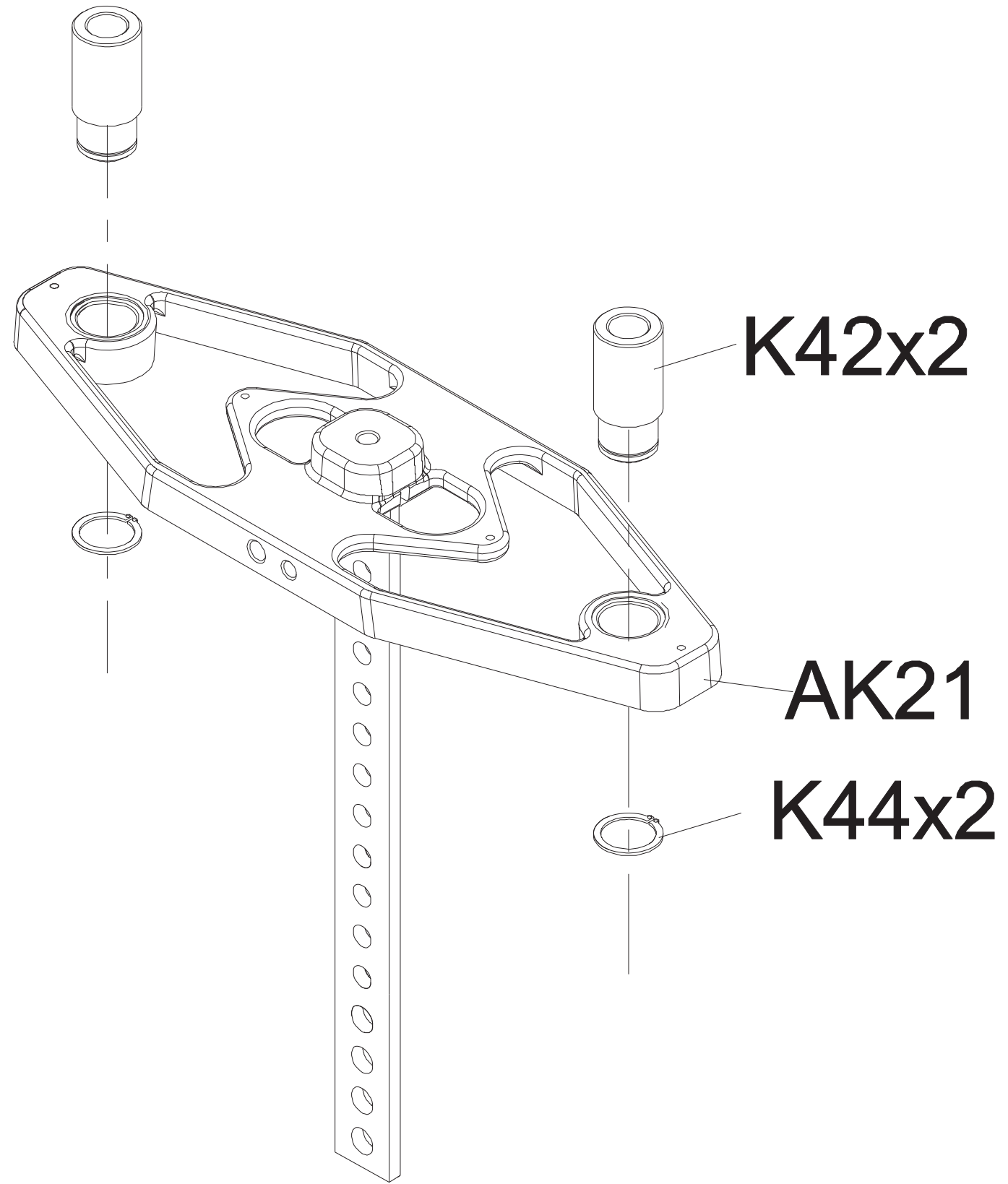
DRAWING NO			
PART NAME	Assistant weight Plate Set		
PART NO	1000113110	REV	A
APPROVE	ANDY	DATE	20130125



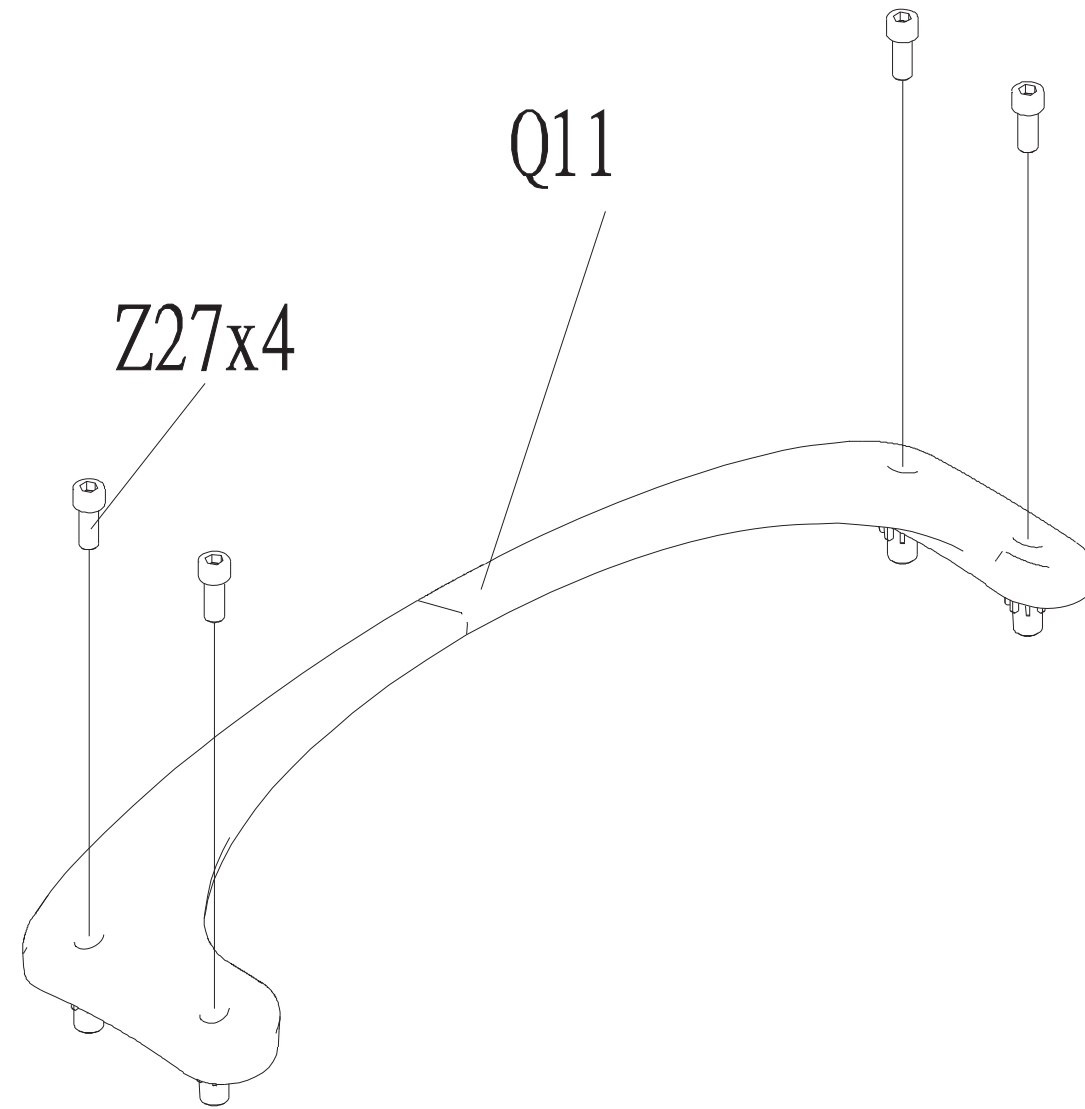
DRAWING NO	
PART NAME	STABILIZER SET
PART NO	1000200724 <small>REV</small> A
APPROVE	BONNIE <small>DATE</small> 20111114



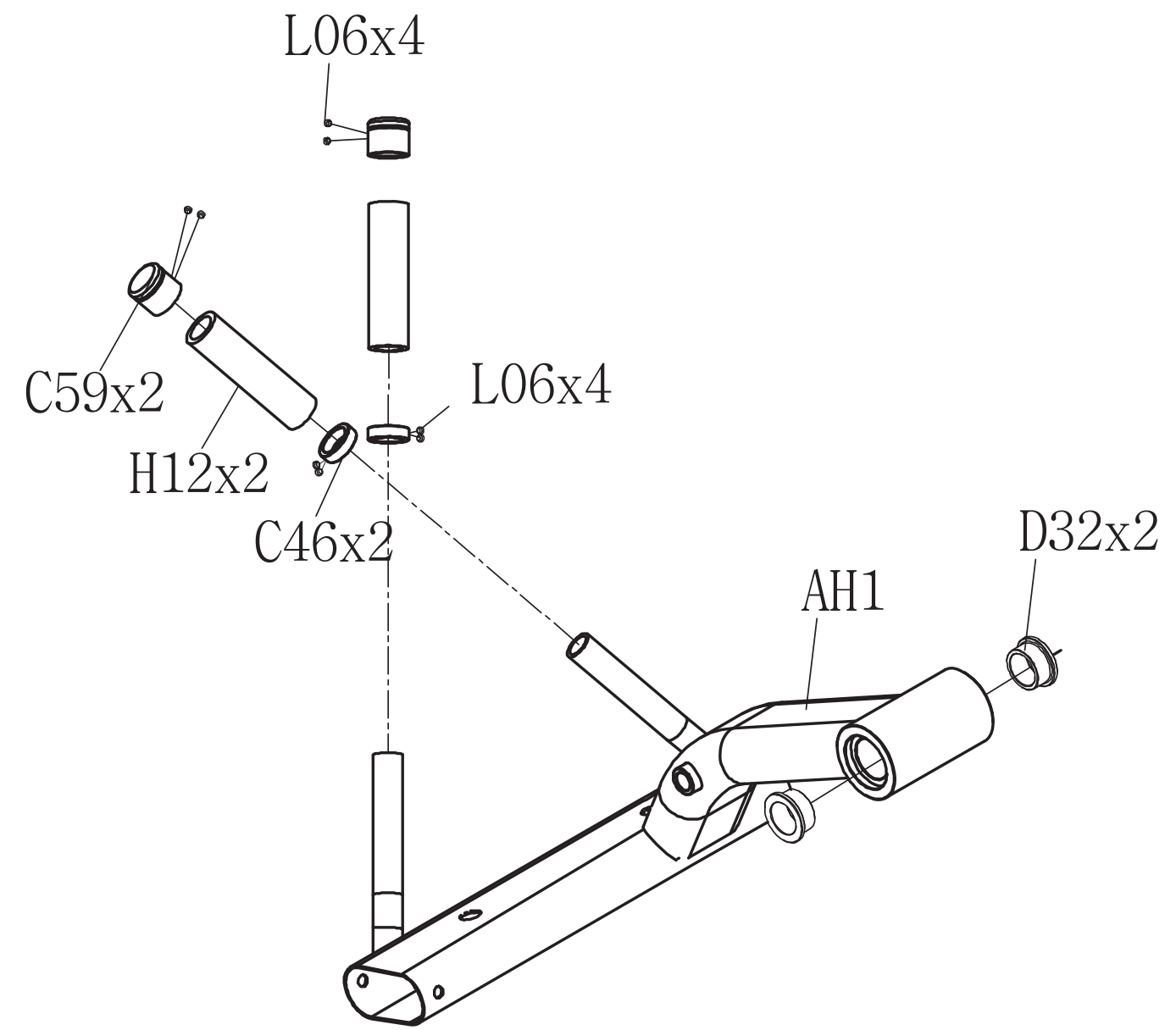
DRAWING NO	GM59-AK22		
PART NAME	Wps;Superstratum;Paint Black LM1018;		
PART NO	1000207217	REV	A
APPROVE	KNIGHT	DATE	10122016



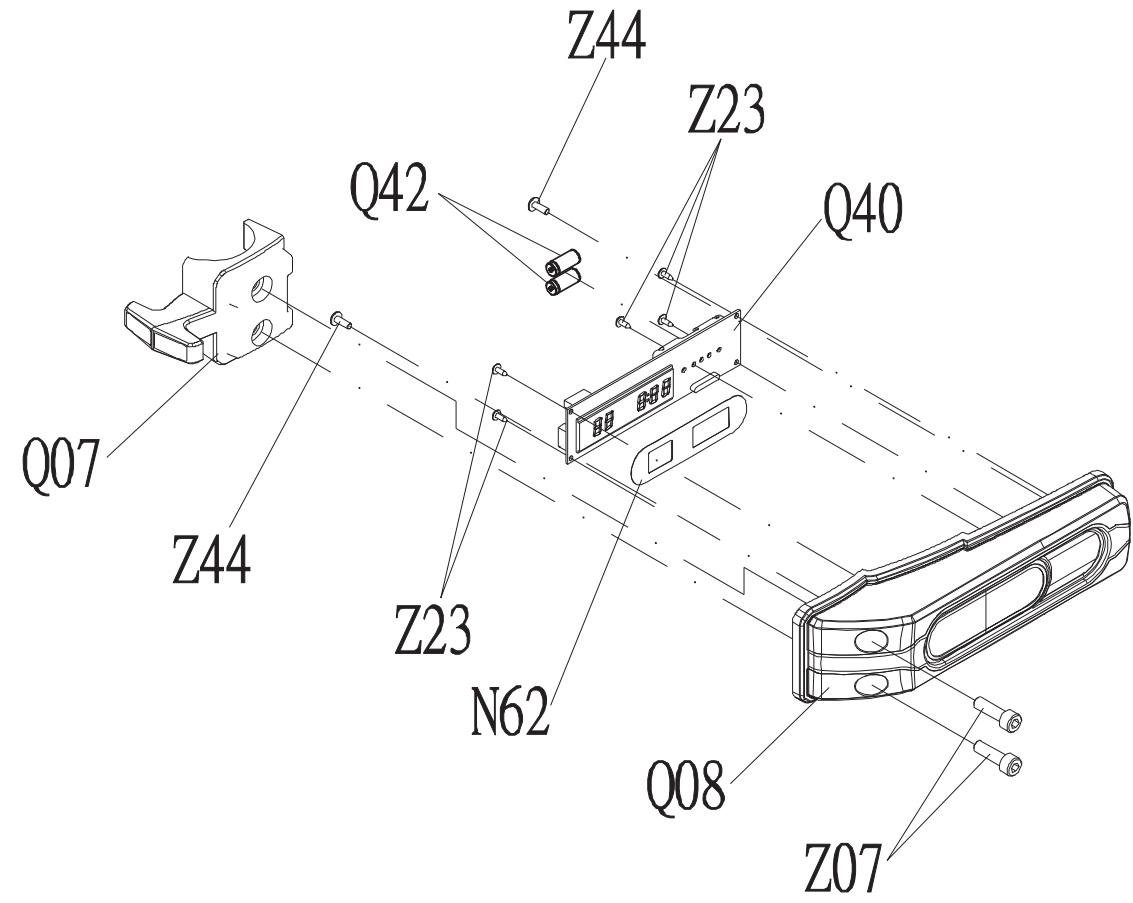
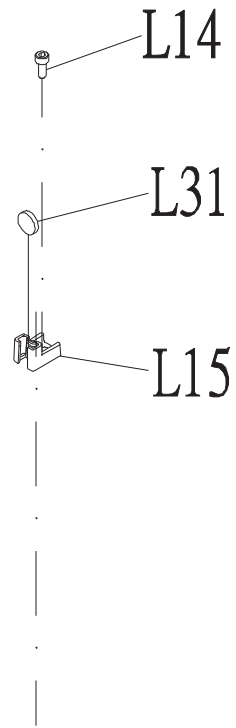
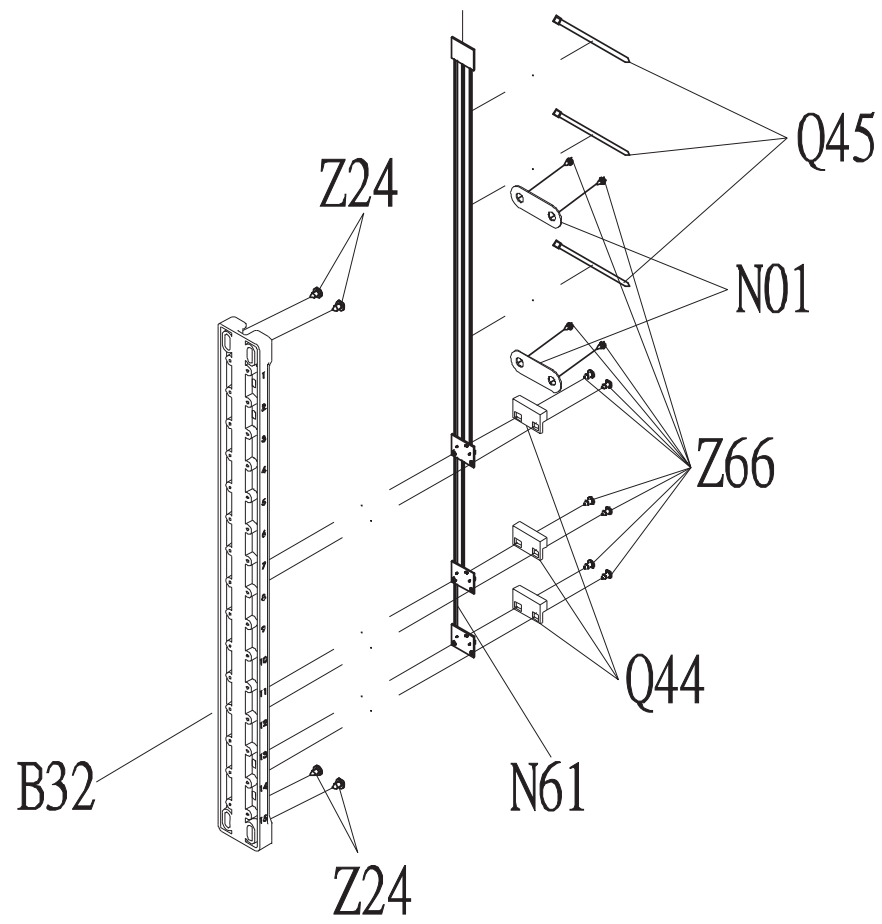
DRAWING NO	
PART NAME	SHIELD SET;U
PART NO	1000220477
APPROVE	JOHN
DATE	20120711
	REV A



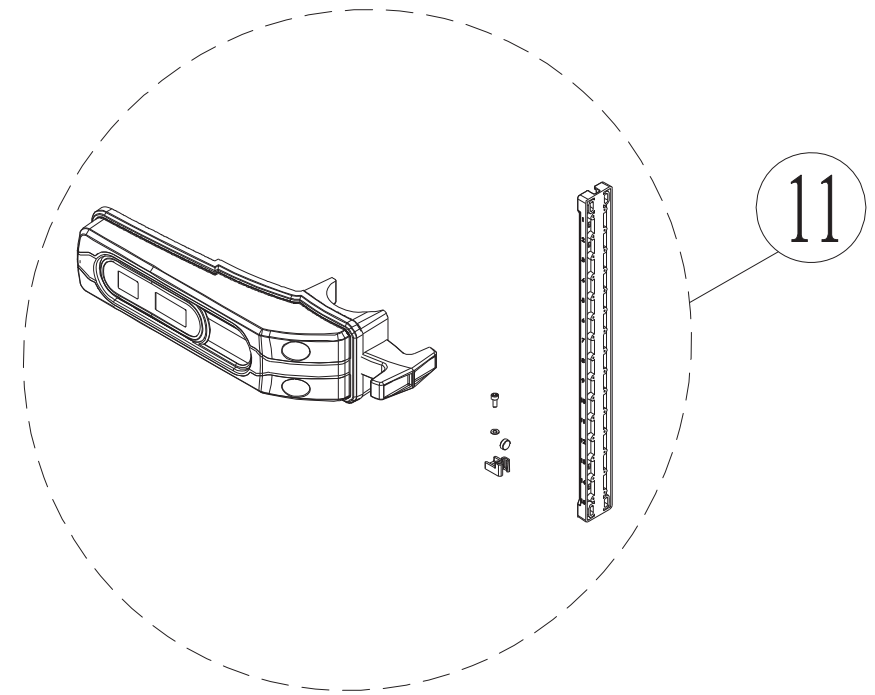
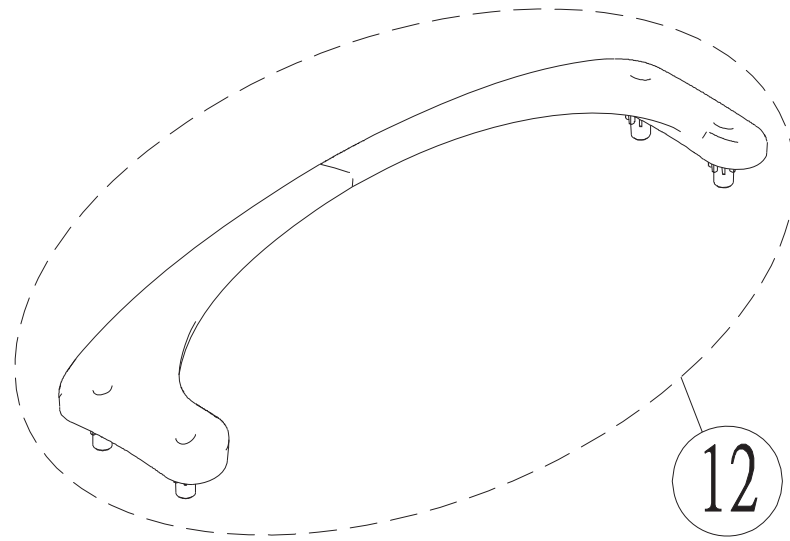
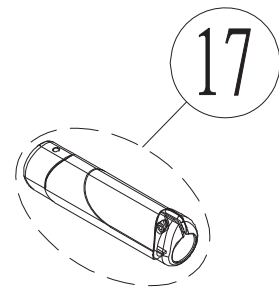
DRAWING NO			
PART NAME	LEG PRESS SET		
PART NO	1000342310	REV	A
APPROVE	Denny	DATE	20131223



DRAWING NO	GM64-SF08		
PART NAME	SENSE ORGAN SET;;right		
PART NO	1000390201	REV	A
APPROVE	LIUSHUO	DATE	2018.07.20



DRAWING NO	GM61-SF10		
PART NAME	EXPLOSIVE DIAGRAM		
PART NO	1000390813	REV	A
APPROVE	LIUSHUO	DATE	2018.12.05



AJ7 upgrades AJ4



AJ8 upgrades AJ5



AJ9 upgrades AJ3



AJ10 upgrades AJ6

Bubble#	OEM Number	Description	Notes
1	1000200724	STABILIZER SET - GM61 -	
10	1000220478	PREMIUM LEVEL SA - GM61 - - PREMIUM - REP COUNTER right	Includes all Premium Kit parts (Kits 11-17).
11	1000390201	GM61/GM64/GM65/	
12	1000220477	PREMIUM - SHIELD SET U GM59 -	
17	1000108698	PREMIUM - Grip Set Arm GM42	
3	1000207217	Wps Superstratum GM59	
9	1000113110	Assistant Weight Plate Set GM59-KM	Incremental Weight Plate Set
AB1	1000200645	FRAME SET - GM61 -	
AC1	1000200647	FRAME SET - GM61 -	
AD11	1000394091	Pedal Arm set Semi-Assy Iced Sliver G	See Service Bulletin "Improved Pedal Arm Connection" See Service Bulletin "Improved Pedal Arm Connection"
AD2	1000394103	Kick set painting Iced Sliver GM105 S	
AF1	1000200602	TRANSMISSION SET - GM61 -	
AF2	1000200612	ADJUSTMENT SET - GM61 -	
AG2	1000200649	BASE CONNECT SET - GM61 -	
AG3	1000200721	DISASSEMBLY CONNECT SET U GM61 -	
AG4	1000209704	DISASSEMBLY CONNECT SET SA M GM61-KM	
AH1 + D32	1000209709	LEG PRESS SET GM61-KM	If Kit 4 is needed, order this part (AH1/D32 qty 1) plus the following items: H12 (qty 2), C46 (qty 2), C59 (qty 2), and L06 (qty 8).
AJ1 + V06	1000398020	Back pad adjust set GM105 Service	Includes AJ1 + V06
AJ10	1000346385	PREMIUM - Pin set Back pad adjust GM61	Premium version of AJ6
AJ2	1000226571	FIXED SET BACK PAD SERVICE PAINTING - -	
AJ3	1000226568	PULL PIN SET THREE GM61 SERVICE	Order AJ9 for premium
AJ4	1000226573	PULL PIN SET SERVICE GM61 ONE	Order AJ7 for premium
AJ5	1000306602	Pull Pin Set FW210-KM assembly	Order AJ8 for premium
AJ6	1000345510	Pin set Back pad adjust GM61 Service	Order AJ10 for premium
AJ7	1000226575	PREMIUM - PULL PIN SET SERVICE GM61 ONE	Premium version of AJ4
AJ8	1000226576	PREMIUM - PULL PIN SET GM61 TWO	Premium version of AJ5
AJ9	1000226577	PREMIUM - PULL PIN SET SERVICE GM61	Premium version of AJ3

AK13	1000215667	Weight Plate axle sleeve - Extrawork,10LBS GM	10lb plate
AK14	1000215776	WPS set axle sleeve - Extrawork,15LBS GM	15lb Plate
AK18	1000207211	Wps Set Assistant GM59	
AK21	1000207218	Wps Set Superstratum Paint GM59	Kit works with both light and heavy weight plate stacks.
B10	1000230611	SUPPORT PLATE WHEEL SPHC CHM GM59	
B12	1000200716	ELASTOMER WEIGHT RUBBER GM61	
B17	1000112984	Elastomer Assistant Weight Plate GM59	
B25	1000204728	FIXING PLATE ROPE WHEEL SPHC GM59-KM	
B32	1000096026	Fixing Base Sensor ABS GM40	
B34	1000215843	PLASTIC PLATE FRAME CR -	
B35	1000230891	SCREW SET M10X1.5PX65L FLATHEADED HS C	
B36	1000215844	Guide Rod fitting, Chromed	
B37	1000221624	BLOCK - - PAINTING - - -	
B38	073573	Pulley 115mm	
B42	005145-AC	Washer Flat 8.2x19.0x2.0T Chromed	
B50	1000393987	Sleeve CON Tube painting Iced Sliver G	
B75	1000303546	Plastic Pad Foot Pad - PP BL427	
B76	1000233200	PLASTIC COVER NBR BL	
C21	1000215775	PLASTIC COVER ADJ PLATE PP GM61	
C23	067941-C	Cap 25x50x3.0T GM20	
C31	005130-00	Washer Flat 8.4x15.5x1.6T Chromed	
C37	1000207249	PLASTIC COVER - ABS 40X80	
C41	096177	ADJ Plate Leg Pad GM45	
C42	1000463037	Tube Cap EPDM+PP BL/Black C 50.5x100	See Service Bulletin "Improved Pedal Arm Connection"
C46	009356-B	Stopper Mast Foam AL6061 GM03	
C47	1000205448	PLASTIC COVER - - - GM59	
C59	009371-E	Cap Grip GM03	
C61	1000111017	cushion plug Rubber GM49-KM	
C65	1000090998	Axle GM45	
C80	1000090006	End Cover Seat Tube Sleeve	
D06	1000200641	ADJ PLATE LEG PAD ADJUSTABLE - SPHC - GM	

D10	004855-AC	Set Screw M6X1.0PX4L
D11	1000110841	Grip Pedal Arm wrap rubber GM42-KM
D12	096208	Adjustment Handle Lower Stopper Ring
D15	096209	Cap Grip Peadal Arm ADC12 GM42
D16	1000372009	Axle, Swivel Leg Pad 45# Chrome GM105 D
D17	1000108801	Screw RND M5x0.8Px15L HS CHM BP G8.8
D20	1000201207	Plastic Cover ABS DG GM61
D26	020329-00	Set Screw M6X1.0PX12L
D27	1000090771	Swivel Axle GM44
D29	1000216133	BALANCE PLATE - 10.4KG -- HT200
D32	1000098550	Bushing 38x30x20mm GM44
F12	1000209698	ORNAMENT ADJ PLATE 3.0T SPHC : GM61-KM
F13	1000300002	Fixing Cap Guide Rail PP BL/Black C 18x
F14	090443	Key Flat 10X8X20L GM30
F16	1000200604	Steel Rope Diam.4.8x3480.0L GM61
G03	1000215741	FIXED SET - RD PAINTING -- GM63
H08	1000095593	Cap Leg Pad ABS GM42
H09	1000095594	Cap Leg Pad ABS GM42
H10	100995	Stopper Ring Leg Pad ABS GM42
H12	1000209696	FOAM HANDLEBAR Diam.34X5.0TX120L GM61-KM
H13	096074	Stopper Ring Cap AL6061 GM42
J17	1000098050	Pulley Cover Small Base ABS GM40
J40	1000107219	Pulley Cover Small Base ABS GM44-KM
K06	1000113106	Tightwire Fix Pin 45# GM59
K07	1000113102	Guide Rod SUS304 Diam.6X1421.7 GM59
K15	1000204997	Steel Weight Plate Up 1080 Spring Steel
K17	1000202352	Cushion Guide Rod
K37	1000209625	GUIDE ROD 45 - WEGHT PLATE
K38	1000102915	Circlip E Type E-15 Cr Plate
K42	1000215659	BUSHING GUIDE ROD POM
K44	1000102912	Circlip External C Type S-30 BED
K46	1000404991	Washer Flat Diam.12.5XDiam.34.0X1.5T Ch

See Service Bulletin "Improved Pedal Arm Connection"

K47	1000096510	Nut HX M12X1.75P SS41 CHM	
K48	020509-A	Washer Diam.12.5XDiam.25.0X1.0T Chrome	
L04	1000210485	SCREW SET M5X0.8PX6L FLAT POINT HS G8.8	
L05	1000200264	GRIP ABS+TPR GM59	
L06	084241	Screw Set M6X1.0PX5L BP POT	
L10	1000201802	PULL PIN SET WPS GM62 -	
L11	1000207213	COVER INCREMENTAL WEIGHT ABS - - -	
L13	070571	Washer Flat 5.2X10.0X1.5T CHM	
L14	1000108803	Screw RND M5x0.8Px12L HS CHM BP G8.8	
L15	1000209576	PLASTIC BASE MAGNET ABS FIXING	
L28	1000224913	Cushion Aaw Nbr BI	
L31	1000232864	PERMANENT MAGNET - 1500## ##	
N01	1000217603	STOPPER PIECE INDUCTOR - SPHC ZH GM40	
N61	1000229510	WIRE DISPLAY BOARD -- OKI HARBOR 2.5-	
N62	1000096575	Overlay Manipulate GM40	
Not Shown	1000200576	hardware set GM61	
Q01	1000113113	Cover Up ABS GM59	
Q02	1000113114	Cover Front Clarity ABS GM59	
Q04	089358	Cover Pulley GM27	
Q07	1000209577	PLASTIC BASE REP COUNTER - FIXING	
Q08	1000200250	PREMIUM - REP COUNTER	
Q09	1000209593	END CAP ACCENT	
Q10	1000224767	Plastic Cover - - PP - - - -	
Q12	1000209591	PLASTIC BAR - PVC - LABEL	
Q13	1000303486	Clamp Cover -	
Q40	1000096514	Control Board Matrix H102 S1.60 GM40	
Q42	ZMS4001255	Battery, AA for console	
Q44	001679-00	Tie Strap Adhesive Nylon 66 HC-101 W	
Q45	005811-00	Cable Tie Nylon Black 160L	
S20	1000371637	Shim Pedal Arm POM GM105 Diam.41.8xDia	See Service Bulletin "Improved Pedal Arm Connection"
V01	1000215841	INSTRUCTIONAL LABE - - PC FRONT GM61	
V02	1000215842	INSTRUCTIONAL LABE - - PC REAR	
V03	1000215718	SPEC LABEL 10 LB WEIGHT PLATE BLACK PC	10lb labels.

V04	1000409123	Direction Label Weight Plate 230lbs/140k	15lb labels.
V05	1000215704	MARKING GM59-KM	
V06	1000215779	DIRECTION LABEL PC GM61	
V08	093501	Warning sticker small GM40-KM	
V11	1000224662	DIRECTION LABEL ADJUSTIC SMALL PC - GM61	
V12	1000224661	DIRECTION LABEL ADJUSTIC - PC -	
V13	1000221799	DIRECTION LABEL AAW - PC -	
V33	1000369167	Warning Label Frame PC English/French	
V51	1000363760	Warning Label Frame PC English GM40	
Z01	1000097206	Screw SH M8X1.25PX25L HS CHM BP	
Z03	1000099499	Screw SH M8X1.25PX14L HS CHM SP	
Z04	020379-00	Nut Hex M8X1.25P SS41 CHM	
Z05	096073	CON Plate Cap SPHC3.0t GM42	
Z07	098577	SCREW HEX M8X1.25X35L	
Z08	020127-AC	Screw SH M8X1.25PX12L HS CHM	
Z09	004555-AB	Screw Hex Socket Round M10x1.5Px25L Cr A	
Z10	004694-AC	Screw Hex Socket Flat M8x1.25Px10L	
Z12	1000231572	SCREW SH M10X1.5PX20L HS BP CHM	
Z13	1000203852	Screw SH M10x15L - HS - CHM BP G8.8	
Z15	070970	Screw SH M10X1.5PX80L HS CHM	
Z16	020465-AB	Washer Flat M10.2X25PX2.0T Chromed	
Z17	005144-AC	Washer Flat 10.2X35.0X2.0T Chromed	
Z18	004518-00	Screw SH M10X1.5PX75L HS CHM	
Z19	049258-AB	Screw SH M10X1.5PX100L HS CHM	
Z20	004549-00	Screw Hex Socket Round M10x1.5Px55L Cr	
Z22	1000097206	Screw SH M8X1.25PX25L HS CHM BP	
Z23	020196-A	Screw Phillip BH Tapped 3x6L Zn-BL	
Z24	1000090321	Screw BH 4X15L TC PH G8.8 BAN POT	
Z25	1000098556	Washer Wavy 30.5X39.2X0.4T	
Z27	020081-00	Screw SH M8X1.25PX60L HS G12.9	
Z28	1000098555	Washer Flat 30.3X45X2.0T SPHC WZN	
Z29	1000098554	Washer Flat 10.5X42X1.5T SPHC WZN	
Z30	020117-AD	SCREW SH M10X1.5PX125L HS CHM	
Z31	1000386527	Screw Set Screw M10X1.5PX10L Hex Socket	

Z43	1000105174	Nut Nylon M10x1.5P G12.9 CHM
Z44	1000104672	Screw BH M5x0.8Px10L HS CST CST CST CHM
Z51	020126-ZC	Screw Settle Seat M8x25L Cr
Z53	103406	Washer Flat 8.2x20.0x1.8t Cr Plat
Z65	1000492330	Fixing Axle Sleeve1 17x5.0L BZN FW524
Z66	040816-A	Screw Phillip BH Tapped 3x8L
4	1000342310	Leg Press Set GM61 service
AC2	1000200505	STABILIZER SET PAINTING - - GM6
AH1	1000209710	LEG PAD ADJ PAINTING GM61-KM
C16	See Pad Matrix	Seat Pad PU,Vesicant Black GM44-KM
C17	See Pad Matrix	Leg Pad Front PU,Vesicant Black GM44-KM
C55	1000425392	Bearing Ball 6006ZZ ?30X?55X13T CSC
G06	1000218536	SUPPORT PLATE PAINTING GM68-KM
J18	See Pad Matrix	Wear Cover
J19	See Pad Matrix	Back Pad Middle PU,Vesicant Black GM59-K
J21	See Pad Matrix	Round Pad Set Semi-Assy Obsidian Black
J26	See Pad Matrix	Back Pad Set PU wheat GM59
J48	See Pad Matrix	Wear Cover
Not Shown	1000215884	LABEL SET SA GM61-KM
Not Shown	1000302103	Label set Semi-Assy GM61-KM GM61 US
Not Shown	1000316922	Accessory Semi-Assy GM61
Not Shown	1000200585	Manual Assembly GM61
Q11	1000209571	GripEnd Cover ADC12 ADC12
V34	1000228213	EN LABEL GM61
Z46	1000387053	Direction Label Seat Adjustable PC G
AJ1	1000200761	BACK PAD ADJUST SET - - WELD GM61
AJ5	1000226574	PULL PIN SET SERVICE GM61 TWO
B37	1000209555	FIXING PLATE COVER - SPHC - GM59
B42	005040-AB	Washer Flat 8.4X15.5X1.6T
B50	098979	Sleeve CON Dode Peadel Arm 45# GM40
B75	1000233199	PLASTIC PAD PP BL

Please order the individual components for this kit:
 AH1/D32 (qty 1), H12 (qty 2), C46 (qty 2), C59 (qty 2),
 and L06 (qty 8).

Discontinued
 Discontinued - Order AJ8 for premium
 Discontinued
 Discontinued
 Discontinued
 Discontinued

C42	1000371560	Cap Elliptical TPU Diam.50.0xDiam.100.	Discontinued - See Service Bulletin "Improved Pedal Arm Connection"
Q08	1000215769	Plastic Cover -- TPR ----	Discontinued
Q42	1000096574	Lithium and Iron Disulfide Battery	Discontinued
Z09	004522-00	Screw SH M10X1.5PX25L HS CHM	Discontinued
Z65	008234-C	Bushing Fixed Plate	Discontinued
Z65	1000480948	Fixing Plate Sleeve1 20# 16x16x3.0T BOX	Discontinued